



# metreel

**LUG-ALL<sup>®</sup>**  
**HEAVY DUTY**  
**PORTABLE WINCH HOISTS**

[www.metreel.co.uk](http://www.metreel.co.uk)



# LUG-ALL® PORTABLE HEAVY DUTY WINCH HOISTS

A portable winch-hoist with strong aluminium frame, self storing aircraft steel wire rope, a reversible safety handle and an interlocking pawl system. The LUG-ALL® has been imitated but never surpassed.

## INNOVATIVE DESIGN

- ◆ Aluminium alloy frame
- ◆ Exclusive drum anchor - swaged ball shank terminal locks wire rope securely in drum and allows for full extension of the steel wire rope. (Other brands use two set screws and 2-3 wraps of wire rope to hold the wire rope onto the drum)
- ◆ Wire rope end has hydraulically crimped copper sleeve
- ◆ Proprietary reversible handle - always a downward pull, switches positions in seconds
- ◆ Self storing aircraft wire rope. No chains are hanging in the way or dragging on the ground. Much lighter than chain pullers
- ◆ Optional marine grade models - developed specifically for marine or other corrosive conditions, have anodized castings, stainless steel wire ropes and cadmium plated steel shafts
- ◆ Drop forged steel hooks

## RELIABLE OPERATION

- ◆ Factory tested to 50% overload of rated capacity
- ◆ Reversible handle is designed to bend on severe overload to protect the user and the hoist. Replace the handle NOT the Winch-Hoist
- ◆ 6000 Model - the shear pin design on two position telescoping handle warns of overload
- ◆ Quick release - will not function when the wire rope is under load
- ◆ The handle can be removed to prevent tampering with the hoist or load
- ◆ One year guarantee against defects in workmanship and/or materials

## RIGGING OPTIONS



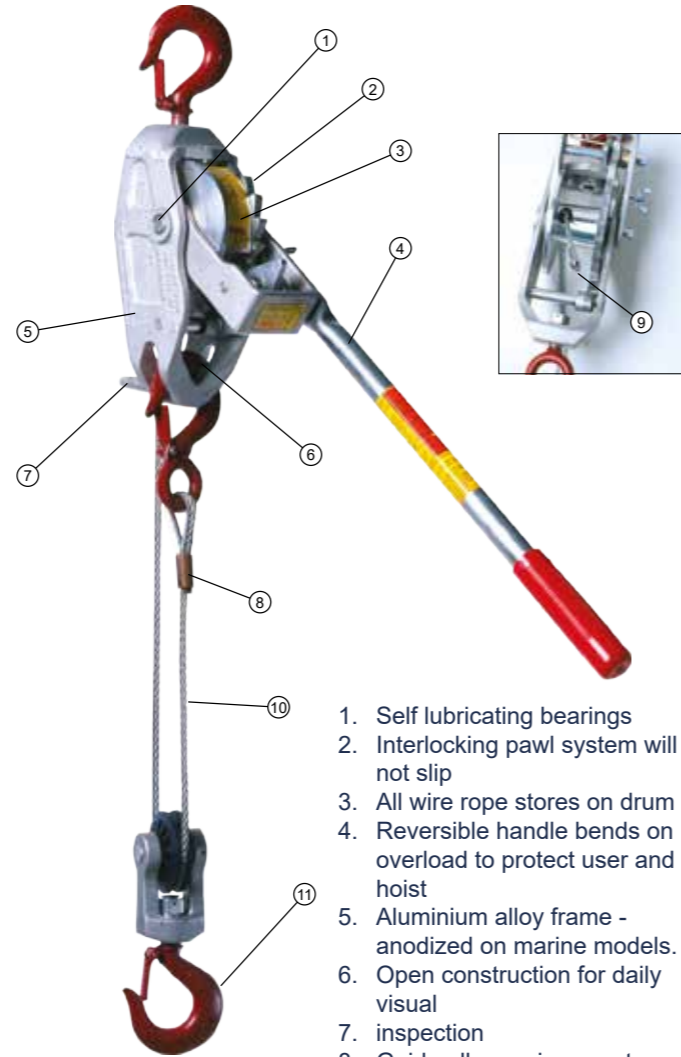
Double Wire Rope Lift



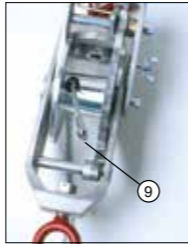
Single Wire Rope Lift



Single Wire Rope Lift



1. Self lubricating bearings
2. Interlocking pawl system will not slip
3. All wire rope stores on drum
4. Reversible handle bends on overload to protect user and hoist
5. Aluminium alloy frame - anodized on marine models.
6. Open construction for daily visual inspection
7. inspection
8. Guide allows wire rope to move freely
9. Crimped copper sleeve
10. Exclusive swaged ball shank terminal
11. 7x19 highly flexible aircraft wire rope
12. 360° swivelling hook with latches for positive load engagement



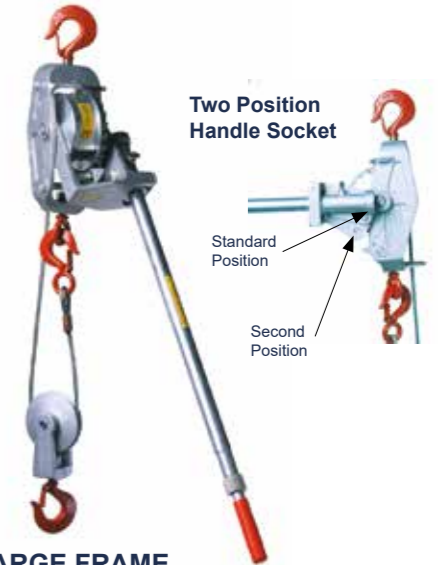
# THE RANGE



**SMALL FRAME**  
Model No: 1000-15SH-UK (380kg)  
Model No: 3000-10SH-UK (1000kg)



**MEDIUM FRAME**  
Model No: 4000-20SH-UK (1400kg)



**LARGE FRAME**  
Model No: 6000-15SH-UK (2000kg)

## Additional 6000 Model Features

- ◆ **Reversible telescoping handle** - provides much better leverage for bigger loads. Permits pulling from standing position. Expands from 95cm to 145cm in seconds.
- ◆ **Two position handle socket** - adjusts for additional leverage.
- ◆ **Easily replaceable shear pin** - breaks with audible noise to warn of serious overload.

DOUBLE WIRE LIFT				
Model	Capacity	Handle pull for full load	Lifting Distance	Min. dist between hooks
1000-15SH-UK	-	-	-	-
3000-10SH-UK	1000kg	52.0kg	305cm	82.5cm
4000-20SH-UK	1400kg	52.0kg	305cm	104.0cm
6000-15SH-UK	1800kg	50.0kg	225cm	134.0cm

SINGLE WIRE LIFT				
Model	Capacity	Handle pull for full load	Lifting Distance	Min. dist between hooks
1000-15SH-UK	350kg	35.0kg	455cm	63.0cm
3000-10SH-UK	500kg	44.0kg	305cm	63.0cm
4000-20SH-UK	700kg	50.0kg	610cm	73.0cm
6000-15SH-UK	900kg	48.0kg	455cm	104.0cm

Dimensions			
Model	Wire Rope Dia.	Length	Weight
1000-15SH-UK	4.6mm	485cm	3.2kg
3000-10SH-UK	5.6mm	350cm	4.0kg
4000-20SH-UK	6.4mm	670cm	7.0kg
6000-15SH-UK	7.9mm	545cm	15.5kg

## HOOKS

As standard all LUG-ALL® models come complete with a 360° Swivelling hook, however on request a Removable Clevis Hook, Gate Hook or Clevis Jaw can be fitted.



**Clevis Hook - C**  
Removable Clevis Hook



**Gate Hook - U**  
Hook latch revolves on hook shank and locks under spring tension in open or closed position.



**Clevis Jaw - PS**  
Jaw fitting provides absolute attachment, high strength forged steel jaws and screw pins.



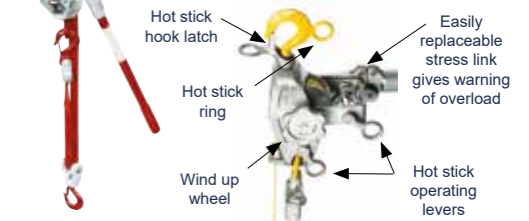
## MARINE GRADE

*Not available in 6000 model*

For marine use or corrosive environments, our marine grade winch-hoist has anodised casting, stainless steel wire ropes and cadmium plated steel shafts.

## WEB STRAP

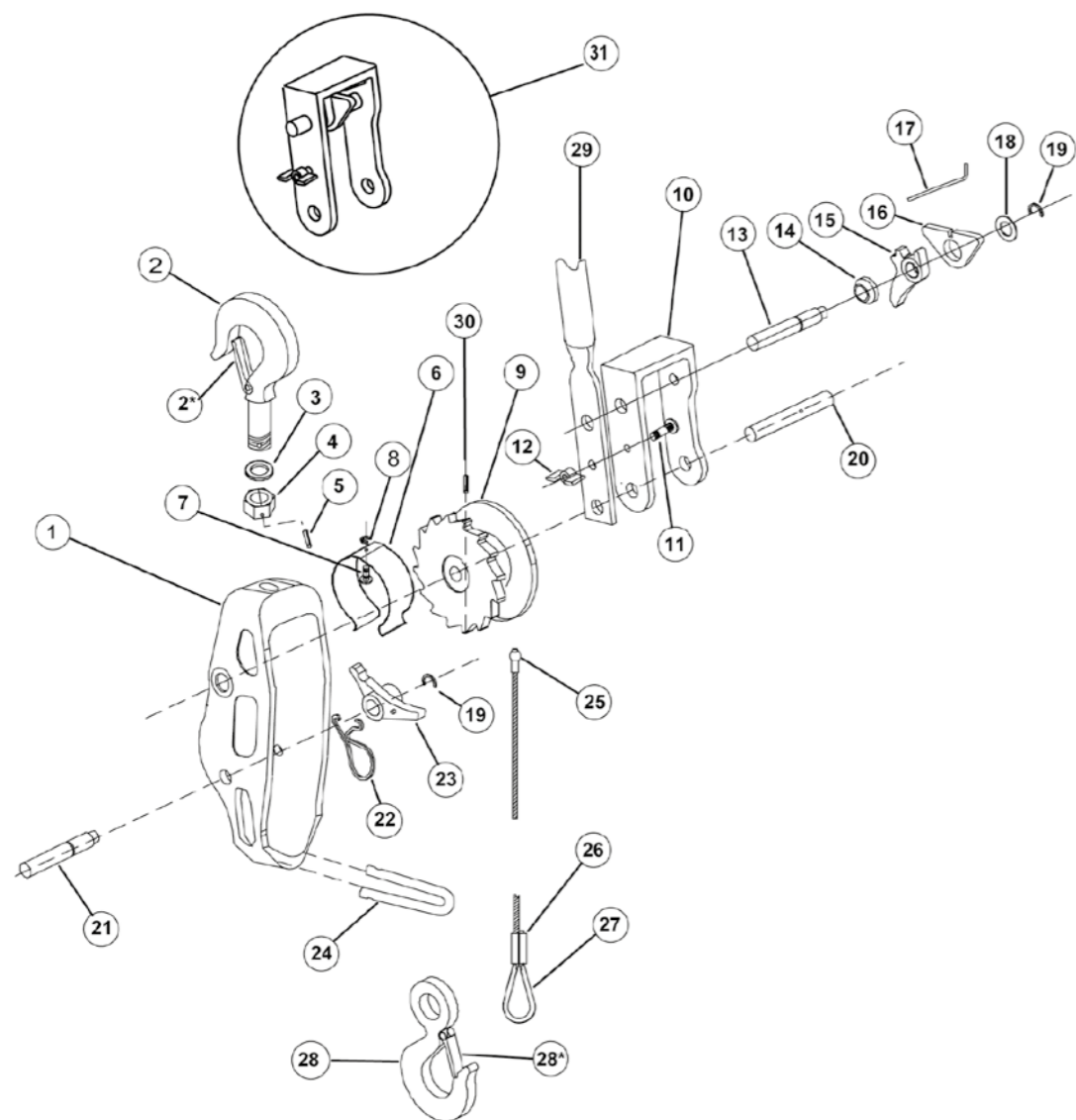
Designed for overhead maintenance and construction of energised power lines.



## Features include:-

- ◆ Exclusive breakable stress link
- ◆ Double interlocking pawl mechanism
- ◆ Self lubricating bearings
- ◆ Open frame construction
- ◆ Double flanged drum
- ◆ Six hook styles
- ◆ Drop forged hooks

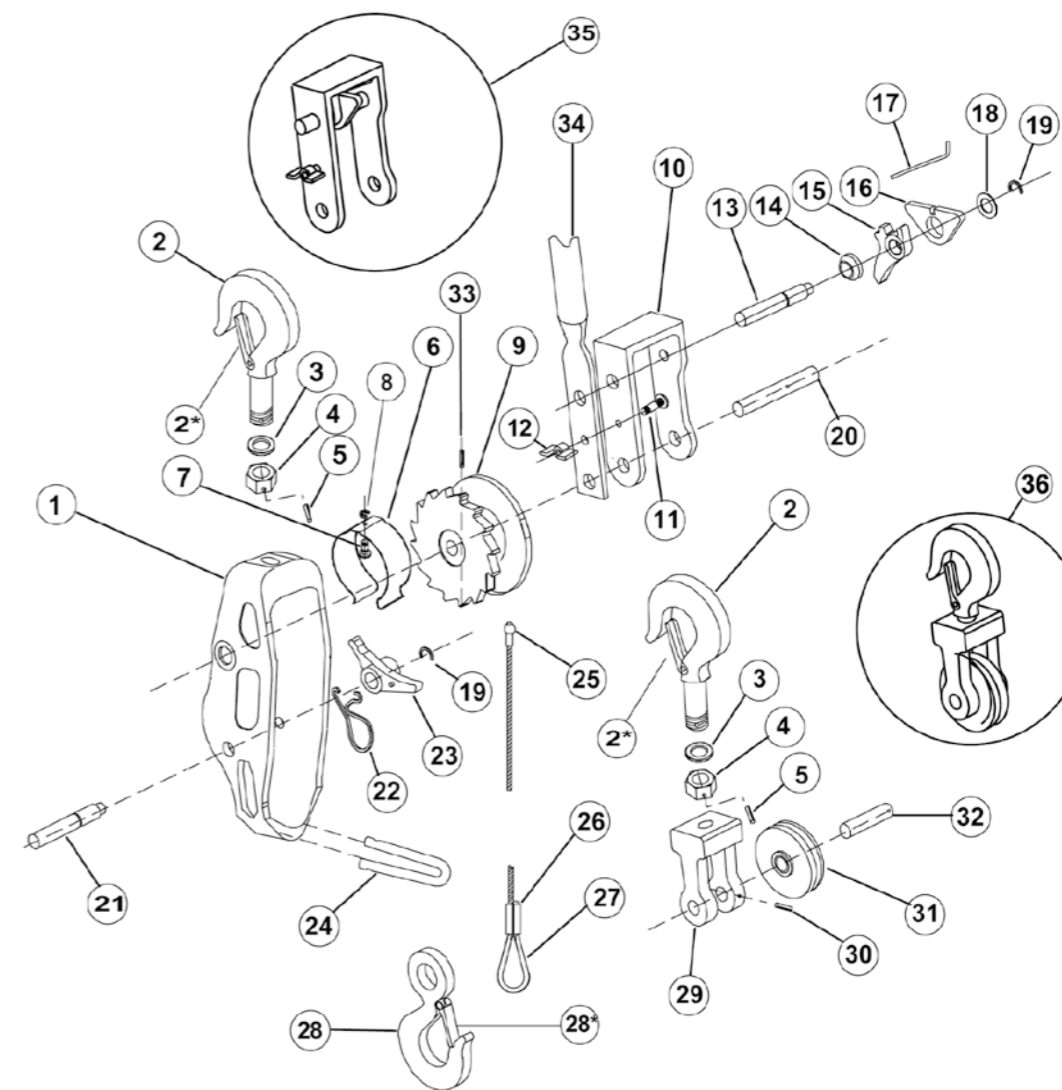
## PARTS BREAKDOWN 1000-15SH-UK



Drawing Ref No.	Description	Qty Req'd	Part No.
1	Main Frame W/Bushings	1	LGL160
2	Shank Hook W/Latch	1	LGL138
2*	Safety Hook Latch Repair Kit	1	LGL263
3	Hook Washer	1	LGL118
4	Hook Nut	1	LGL122
5	Hook Nut Locking Pin	1	LGL123
6	Cable Shield Assembly	1	LGL115
7	Cable Shield Pin	1	LGL161
8	Cable Shield Retaining Ring	1	LGL162
9	Drum	1	LGL261
10	U-Frame (W/Handle Bolt)	1	LGL151
11	Handle Bolt	1	LGL133
12	Wing Nut	1	LGL119
13	U-Frame Pawl Shaft	1	LGL128
14	Spring Support Roll	1	LGL289
15	U-Frame Pawl	1	LGL103

Drawing Ref No.	Description	Qty Req'd	Part No.
16	Reverse Lever	1	LGL288
17	U-Frame Spring	1	LGL130
18	Reverse Lever Washer	1	LGL291
19	Shaft Snap Washer	2	LGL111
20	Drum Shaft	1	LGL129
21	Main Frame Pawl Shaft	1	LGL127
22	Main Frame Pawl Spring	1	LGL131
23	Main Frame Pawl	1	LGL113
24	Cable Guide	1	LGL104
25	Cable and Drum Anchor	1	LGL136
26	Sleeve Type Cable Clamp	1	LGL125
27	Thimble	1	LGL139
28	Eye Hook with Latch	1	LGL137
28*	Safety Hook Latch Repair Kit	1	LGL263
29	Reversible Handle (Blue)	1	LGL262
30	Drum Shaft Locking Pin	1	LGL134
31	Complete U-Frame Assembly	1	LGL851

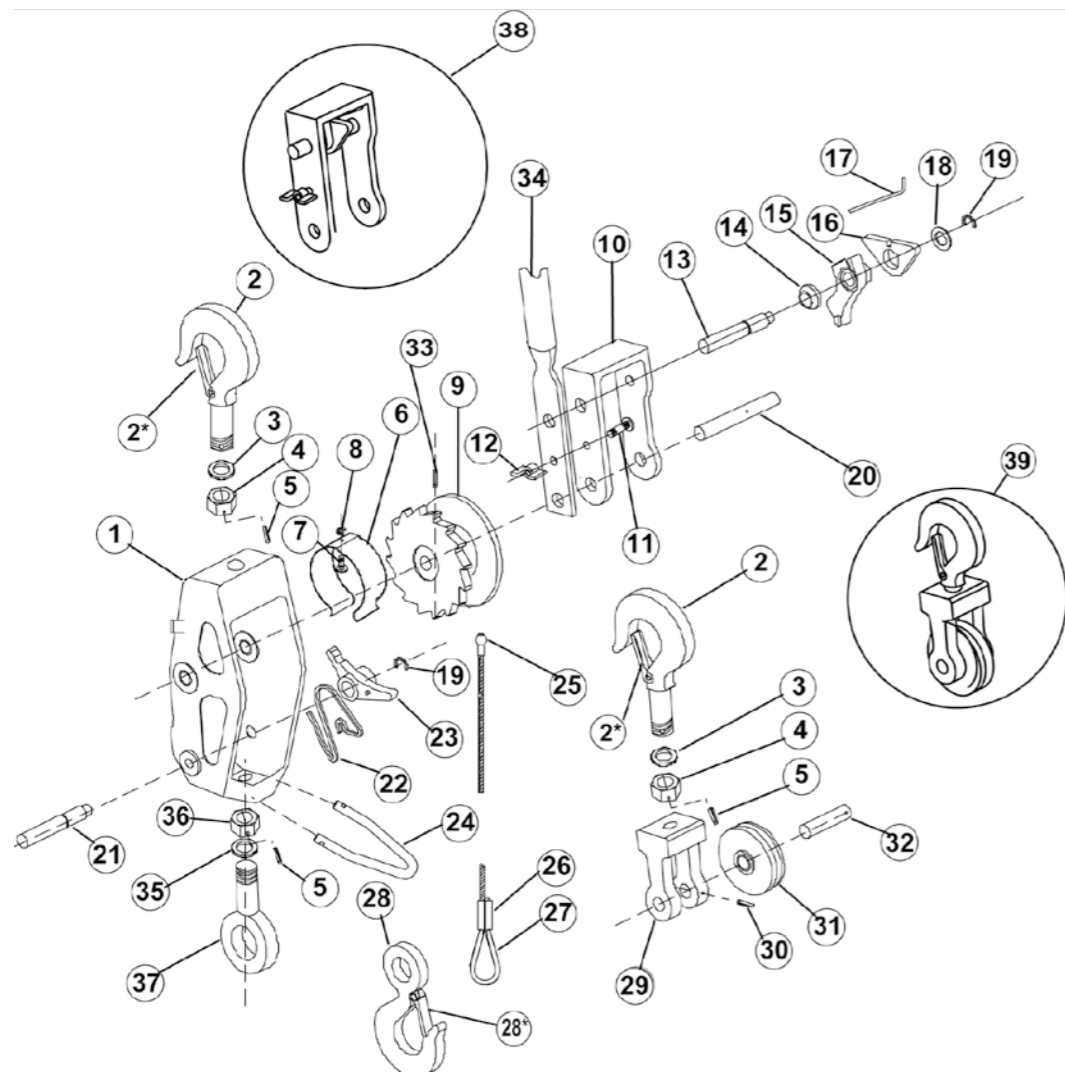
## PARTS BREAKDOWN 3000-10SH-UK



Drawing Ref No.	Description	Qty Req'd	Part No.
1	Main Frame W/Bushings	1	LGL160
2	Shank Hook W/Latch	1	LGL207
2*	Safety Hook Latch Repair Kit	1	LGL264
3	Hook Washer	1	LGL181
4	Hook Nut	1	LGL182
5	Hook Nut Locking Pin	1	LGL123
6	Cable Shield Assembly	1	LGL115
7	Cable Shield Pin	1	LGL161
8	Cable Shield Retaining Ring	1	LGL162
9	Drum	1	LGL148
10	U-Frame (W/Handle Bolt)	1	LGL151
11	Handle Bolt	1	LGL133
12	Wing Nut	1	LGL119
13	U-Frame Pawl Shaft	1	LGL128
14	Spring Support Roll	1	LGL289
15	U-Frame Pawl	1	LGL103
16	Reverse Lever	1	LGL288
17	U-Frame Spring	1	LGL130
18	Reverse Lever Washer	1	LGL291

Drawing Ref No.	Description	Qty Req'd	Part No.
19	Shaft Snap Washer	2	LGL111
20	Drum Shaft	1	LGL129
21	Main Frame Pawl Shaft	1	LGL127
22	Main Frame Pawl Spring	1	LGL131
23	Main Frame Pawl	1	LGL113
24	Cable Guide	1	LGL104
25	Cable and Drum Anchor	1	LGL147
26	Sleeve Type Cable Clamp	1	LGL149
27	Thimble	1	LGL139
28	Eye Hook with Latch	1	LGL137
28*	Safety Hook Latch Repair Kit	1	LGL263
29	Yoke	1	LGL141
30	Shaft Locking Pin	1	LGL143
31	Pulley W/Bushing	1	LGL152
32	Pulley Shaft	1	LGL112
33	Drum Shaft	1	LGL134
34	Reversible Handle (Red)	1	LGL146
35	Complete U-Frame Assembly	1	LGL853
36	Complete Pulley Block Assembly	1	LGL803

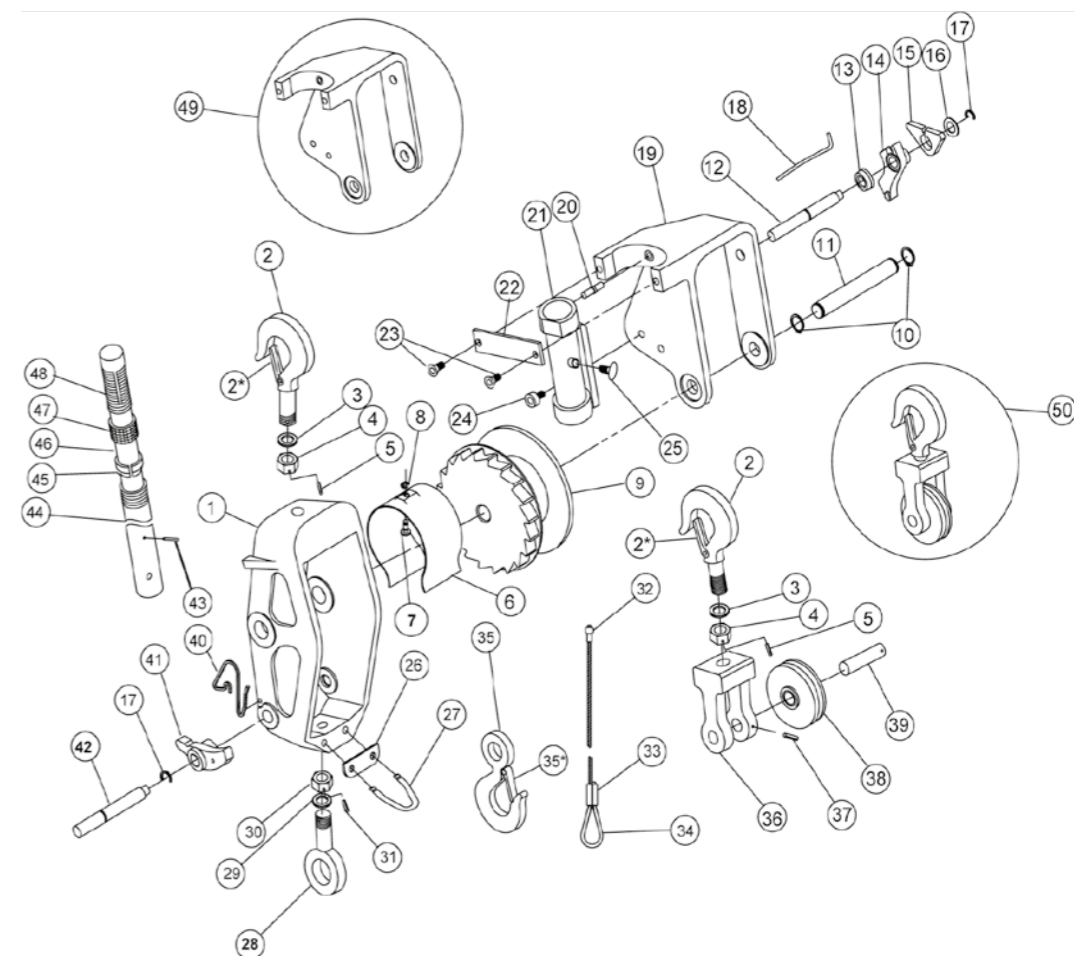
## PARTS BREAKDOWN 4000-20SH-UK



Drawing Ref No.	Description	Qty Req'd	Part No.
1	Main Frame W/Bushings	1	LGL180
2	Shank Hook W/Latch	1	LGL207
2*	Safety Hook Latch Repair Kit	1	LGL264
3	Hook Washer	1	LGL181
4	Hook Nut	1	LGL182
5	Hook Nut Locking Pin	1	LGL123
6	Cable Shield Assembly	1	LGL183
7	Cable Shield Pin	1	LGL161
8	Cable Shield Retaining Ring	1	LGL162
9	Drum	1	LGL184
10	U-Frame (W/Handle Bolt)	1	LGL578
11	Handle Bolt	1	LGL133
12	Wing Nut	1	LGL119
13	U-Frame Pawl Shaft	1	LGL192
14	Spring Support Roll	1	LGL293
15	U-Frame Pawl	1	LGL216
16	Reverse Lever	1	LGL288
17	U-Frame Spring	1	LGL195
18	Reverse Lever Washer	1	LGL291
19	Snap Shaft Washer	1	LGL111

Drawing Ref No.	Description	Qty Req'd	Part No.
20	Drum Shaft	1	LGL194
21	Main Frame Pawl Shaft	1	LGL186
22	Main Frame Pawl Spring	1	LGL200
23	Main Frame Pawl	1	LGL203
24	Cable Guide	1	LGL204
25	Cable and Drum Anchor	1	LGL185
26	Sleeve Type Cable Clamp	1	LGL191
27	Thimble	1	LGL139
28	Eye Hook with Latch	1	LGL137
28*	Safety Hook Latch Repair Kit	1	LGL263
29	Yoke	1	LGL188
30	Shaft Locking Pin	1	LGL143
31	Pulley W/Bushing	1	LGL187
32	Pulley Shaft	1	LGL190
33	Drum Shaft Locking Pin	1	LGL134
34	Reversible Handle (Blue)	1	LGL198
35	Hook Washer	1	LGL118
36	Hook Nut	1	LGL122
37	Eye Bolt	1	LGL165
38	Complete U-Frame Assembly	1	LGL855
39	Complete Pulley Block Assembly	1	LGL804

## PARTS BREAKDOWN 6000-15SH-UK



Drawing Ref No.	Description	Qty Req'd	Part No.
1	Main Frame W/Bushings	1	LGL650
2	Shank Hook W/Latch	1	LGL655
2*	Safety Hook Latch Repair Kit	1	LGL264
3	Hook Washer	1	LGL657
4	Hook Nut	1	LGL656
5	Hook Nut Locking Pin	1	LGL143
6	Cable Shield Assembly	1	LGL660
7	Cable Shield Pin	1	LGL661
8	Cable Shield Retaining Ring	1	LGL696
9	Drum	1	LGL651
10	Drum Shaft Retaining Ring	2	LGL653
11	Drum Shaft	1	LGL652
12	U-Frame Pawl Shaft	1	LGL680
13	Spring Support Roll	1	LGL683
14	U-Frame Pawl	1	LGL679
15	Reverse Lever	1	LGL681
16	Retaining Washer	1	LGL682
17	Shaft Snap Washer	1	LGL671
18	U-Frame Pawl Spring	1	LGL195
19	U-Frame	1	LGL672
20	Shear Pin	1	LGL677
21	Handle Socket	1	LGL673
22	Tie Bar	1	LGL675
23	Tie Bar Screw	1	LGL676
24	Socket Cap Screw	1	LGL674
25	Thumb Screw	1	LGL678

Drawing Ref No.	Description	Qty Req'd	Part No.
26	Cable Guide Wear Strip	1	LGL659
27	Cable Guide	1	LGL658
28	Eye Bolt	1	LGL213
29	Hook Washer	1	LGL181
30	Hook Nut	1	LGL182
31	Hook Nut Locking Pin	1	LGL123
32	Cable and Drum Anchor	1	LGL662
33	Sleeve Type Cable Clamp	1	LGL666
34	Thimble	1	LGL665
35	Eye Hook with Latch	1	LGL664
35*	Safety Hook Latch Repair Kit	1	LGL264
36	Yoke	1	LGL684
37	Shaft Locking Pin	1	LGL687
38	Pulley W/Bushing	1	LGL685
39	Pulley Shaft	1	LGL686
40	Main Frame Pawl Spring	1	LGL200
41	Main Frame Pawl	1	LGL669
42	Main Frame Pawl Shaft	1	LGL670
43	Handle Locking Pin	1	LGL693
44	Large Handle Tube	1	LGL689
45	Split Ring	1	LGL691
46	Small Handle Tube with Grip	1	LGL690
47	Handle Locking Nut	1	LGL692
48	Complete Handle Assy. (Orange)	1	LGL688
49	Complete U-Frame Assy.	1	LGL856
50	Complete Pulley Block Assy.	1	LGL810

