

# PORTABLE ALUMINIUM GANTRY CRANES

LIGHTWEIGHT, DEPENDABLE, DURABLE LIFTING SOLUTIONS



CAPACITIES UP TO 2000 KG  
SPANS UP TO 6M  
[www.metreel.co.uk](http://www.metreel.co.uk)

**ALULIFT**<sup>®</sup>  
PORTABLE LIFTING

# PORTABLE ALUMINIUM GANTRY CRANES

## FEATURES & OPTIONS

### **ALU-LIFT®** **PORTABLE ALUMINIUM** **GANTRIES**

The ultimate in lightweight construction for ease of portability. These gantries are ideal when you require constant assembly or disassembly, such as by site personnel or for a remote/difficult location.

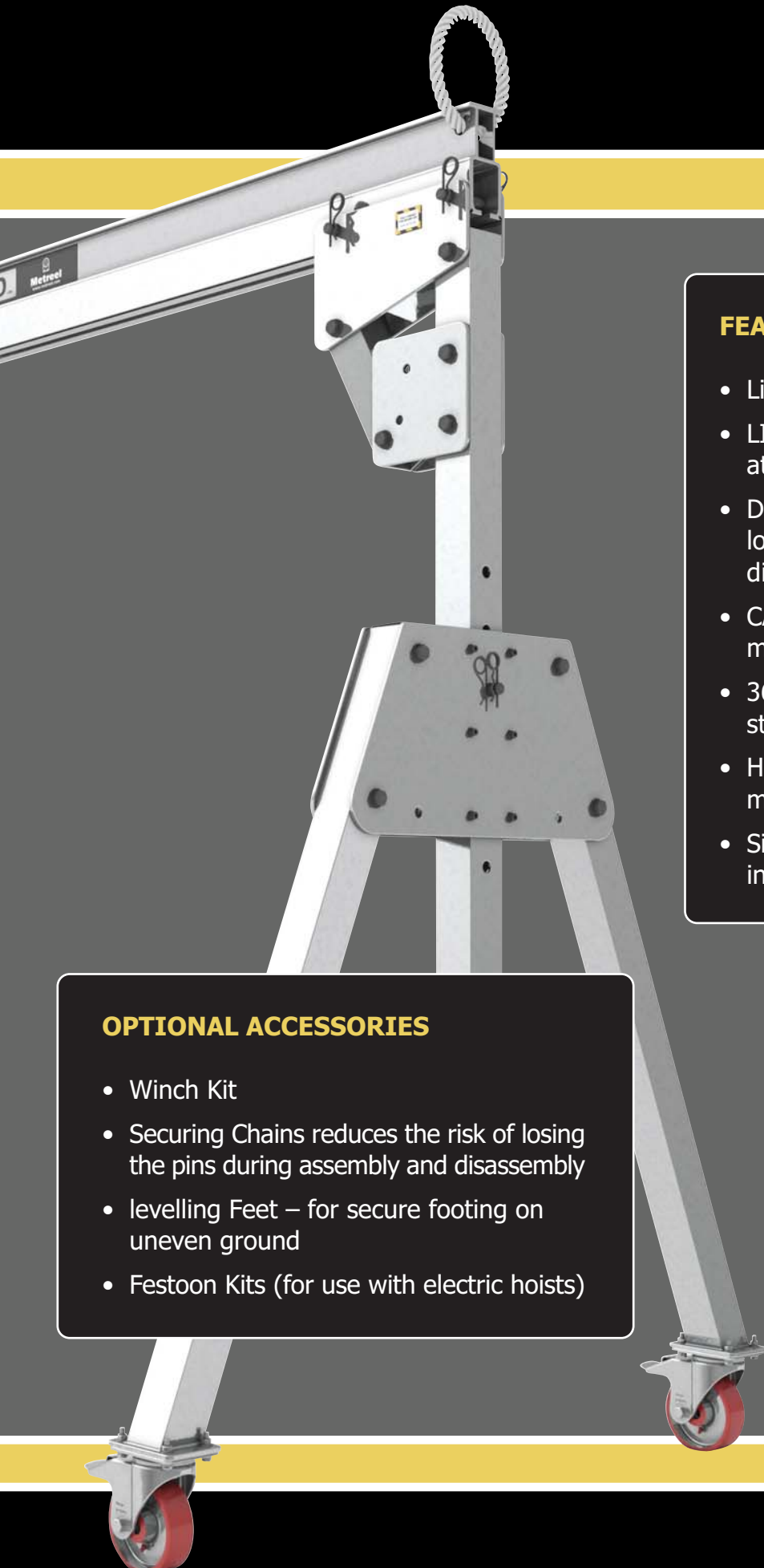
A range of over 51 models allow for capacities from 500kg to 2000kg and spans up to 6m.

The ALU-LIFT® is simple to set up and break down and has features which minimise the space required for storage and transportation. Each system comes complete with a load trolley for a simple all in one solution.

For those where the standard product does not quite fit their application, we are committed to being able to review clients' needs in greater detail and develop custom solutions to meet client exact requirements.



**CAPACITIES UP TO 2000 KG**  
**SPANS UP TO 6M**  
**[www.metreel.co.uk](http://www.metreel.co.uk)**



## FEATURES

- Lifting CAPACITY from 500kg to 2000kg
- LIGHTWEIGHT complete model starting at just over 45kg
- Designed to be PORTABLE with simple locking pins that make assembly and disassembly easy
- CARRY HANDLES and FOLDING LEGS makes TRANSPORTATION easy
- 360° SWIVEL Locking Castors as standard
- HOIST TROLLEY included with each model\*
- Six LOCKING PINS offer the disassembly into FIVE unique sections.

## OPTIONAL ACCESSORIES

- Winch Kit
- Securing Chains reduces the risk of losing the pins during assembly and disassembly
- levelling Feet – for secure footing on uneven ground
- Festoon Kits (for use with electric hoists)

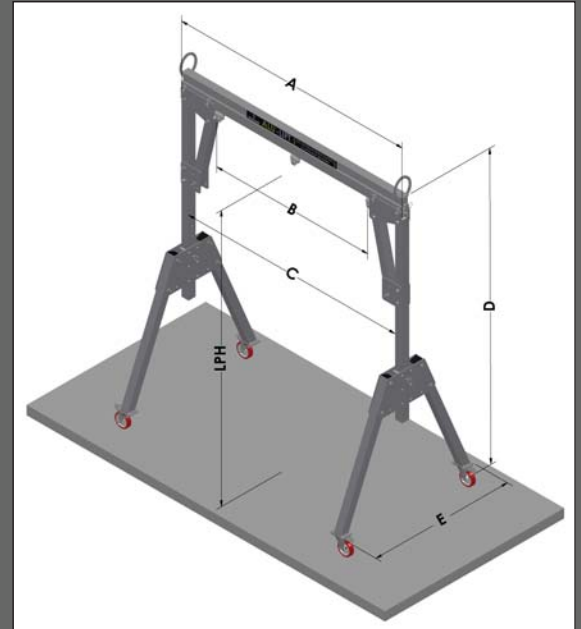
\*Hoist Supplied by others

**LIGHTWEIGHT, DEPENDABLE, DURABLE LIFTING SOLUTIONS**

# PORTABLE ALUMINIUM GANTRY CRANES

## CAPACITY CHART

CAPACITY	BEAM LENGTH	MODEL NUMBER	CLEAR SPAN (C)	TROLLEY TRAVEL (B)	MAX. WIDTH (A)	LPH Min.	LPH Max.	OAH Min. (D)	OAH Max. (D)	TREAD (E)
500kg	2.0m	AL100608m	1840mm	1209mm	2211mm	1904mm	2404mm	2180mm	2683mm	1381mm
		AL100610m				2404mm	2904mm	2680mm	3183mm	
		AL100612m				2904mm	3404mm	3180mm	3683mm	
	2.5m	AL100808m	2340mm	1708mm	2711mm	1904mm	2404mm	2180mm	2683mm	
		AL100810m				2404mm	2904mm	2680mm	3183mm	
		AL100812m				2904mm	3404mm	3180mm	3683mm	
	3.0m	AL101008m	2840mm	2208mm	3211mm	1904mm	2404mm	2180mm	2683mm	
		AL101010m				2404mm	2904mm	2680mm	3183mm	
		AL101012m				2904mm	3404mm	3180mm	3683mm	
	3.5m	AL101208m	3340mm	2708mm	3711mm	1904mm	2404mm	2180mm	2683mm	
		AL101210m				2404mm	2904mm	2680mm	3183mm	
		AL101212m				2904mm	3404mm	3180mm	3683mm	
4.5m	AL101508m	4340mm	3708mm	4711mm	1904mm	2404mm	2180mm	2683mm		
	AL101510m				2404mm	2904mm	2680mm	3183mm		
	AL101512m				2904mm	3404mm	3180mm	3683mm		
1000kg	2.0m	AL200608m	1840mm	1208mm	2211mm	1904mm	2404mm	2180mm	2683mm	1381mm
		AL200610m				2404mm	2904mm	2680mm	3183mm	
		AL200612m				2904mm	3404mm	3180mm	3683mm	
	2.5m	AL200808m	2340mm	1708mm	2711mm	1904mm	2404mm	2180mm	2683mm	
		AL200810m				2404mm	2904mm	2680mm	3183mm	
		AL200812m				2904mm	3404mm	3180mm	3683mm	
	3.0m	AL201008m	2840mm	2208mm	3211mm	1904mm	2404mm	2180mm	2683mm	
		AL201010m				2404mm	2904mm	2680mm	3183mm	
		AL201012m				2904mm	3404mm	3180mm	3683mm	
	3.5m	AL201208m	3340mm	2708mm	3711mm	1904mm	2404mm	2180mm	2683mm	
		AL201210m				2404mm	2904mm	2680mm	3183mm	
		AL201212m				2904mm	3404mm	3180mm	3683mm	
	4.5m	AL201508m	4340mm	3708mm	4711mm	1904mm	2404mm	2180mm	2683mm	
		AL201510m				2404mm	2904mm	2680mm	3183mm	
		AL201512m				2904mm	3404mm	3180mm	3683mm	
	5.5m	AL201808m	5340mm	4708mm	5711mm	1904mm	2404mm	2180mm	2683mm	
		AL201810m				2404mm	2904mm	2680mm	3183mm	
		AL201812m				2904mm	3404mm	3180mm	3683mm	
6.0m	AL202008m	5840mm	5208mm	6211mm	1904mm	2404mm	2180mm	2683mm		
	AL202010m				2404mm	2904mm	2680mm	3183mm		
	AL202012m				2904mm	3404mm	3180mm	3683mm		
2000kg	2.0m	AL400608m	1840mm	1208mm	2220mm	1904mm	2404mm	2180mm	2683mm	1381mm
		AL400610m				2404mm	2904mm	2680mm	3183mm	
		AL400612m				2904mm	3404mm	3180mm	3683mm	
	2.5m	AL400808m	2340mm	1708mm	2720mm	1904mm	2404mm	2180mm	2683mm	
		AL400810m				2404mm	2904mm	2680mm	3183mm	
		AL400812m				2904mm	3404mm	3180mm	3683mm	
	3.0m	AL401008m	2840mm	2208mm	3220mm	1904mm	2404mm	2180mm	2683mm	
		AL401010m				2404mm	2904mm	2680mm	3183mm	
		AL401012m				2904mm	3404mm	3180mm	3683mm	
	3.5m	AL401208m	3340mm	2708mm	3720mm	1904mm	2404mm	2180mm	2683mm	
		AL401210m				2404mm	2904mm	2680mm	3183mm	
		AL401212m				2904mm	3404mm	3180mm	3683mm	
4.5m	AL401508m	4340mm	3708mm	4720mm	1904mm	2404mm	2180mm	2744mm		
	AL401510m				2404mm	2904mm	2680mm	3048mm		
	AL401512m				2904mm	3404mm	3180mm	3658mm		



**Metreel**

**Tel:** +44 (0) 115 932 7010 **Email:** sales@metreel.co.uk **Web:** www.metreel.co.uk

M181-0718v1